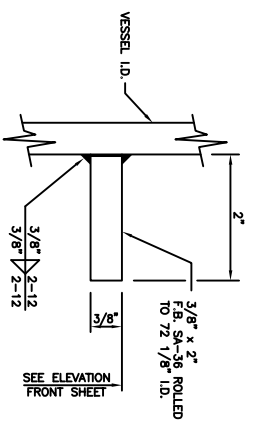
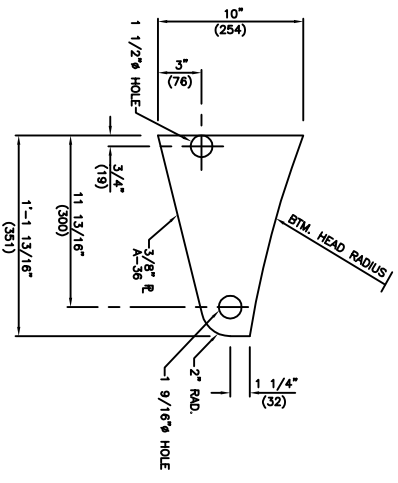


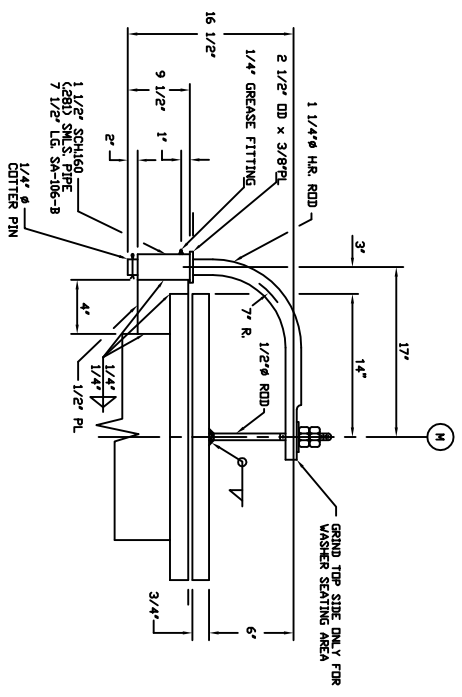
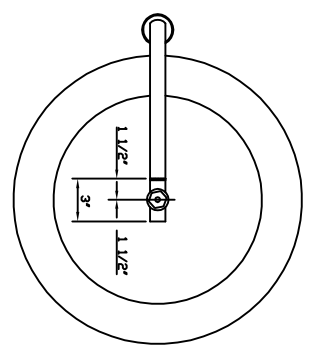
CUSTOMER NOTE :
 DETAILS TO FOLLOW LATER
 ON METHOD OF ATTACHMENT
 OF ELECTRICAL PIPE



INSULATION SUPPORT RING
 TWO (2) REQUIRED, SA-36
 NOTE: NOTCH RING WHERE IT CROSSES LONGITUDINAL SEAMS. DO NOT GRIND LONGITUDINAL SEAMS FLUSH.



TEST WEIGHT BRACKET DETAIL
 THREE (3) REQUIRED



DETAIL 24" MANWAY W/DAVIT
 (1) REQUIRED AT MK (H)

CUSTOMER: N.S.C. / OLIN CUSTOMER DWG. No.: PD-66A PROJECT: OLIN / BELGIUM SERVICE: ME BLEND TANK		P.O. No.: N05217 ITEM No.: V6601 SITE: ZWANDRECHT, BELGIUM ONE: (1) UNIT REQ'D.	
FABRICATED FOR: NISSHEIN GULF COAST HOUSTON, TEXAS.		FABRICATED BY: Pro Performance Houston, Texas.	
REVISIONS: REVISOR: REVISOR DATE: 03-15-86		SCALE: NOT TO SCALE	
DRAWN: ATX CHECKED: G.S. DATE: 12/2/85		DATE: 12/2/85	
DRAWING No.: 121298D		SHEET No.: 3 of 3	